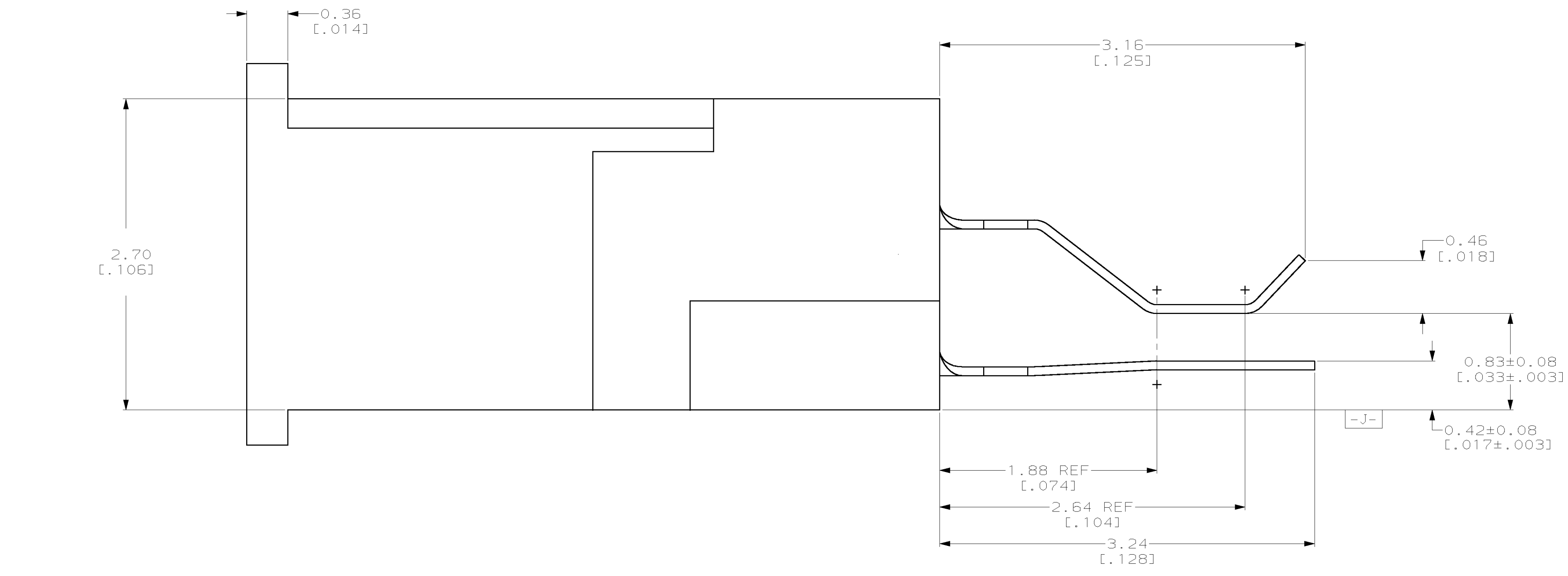
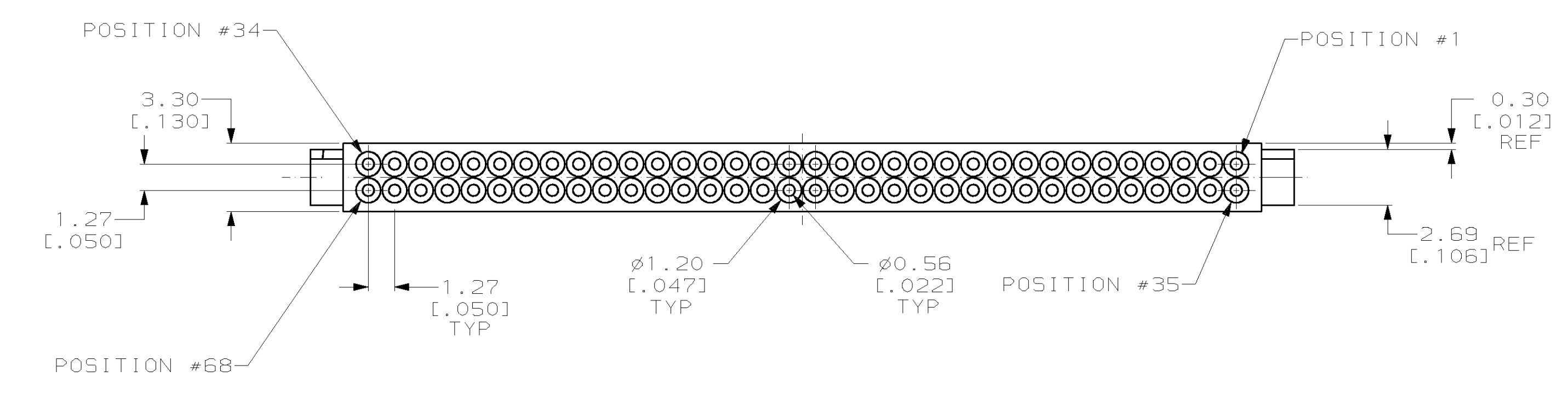
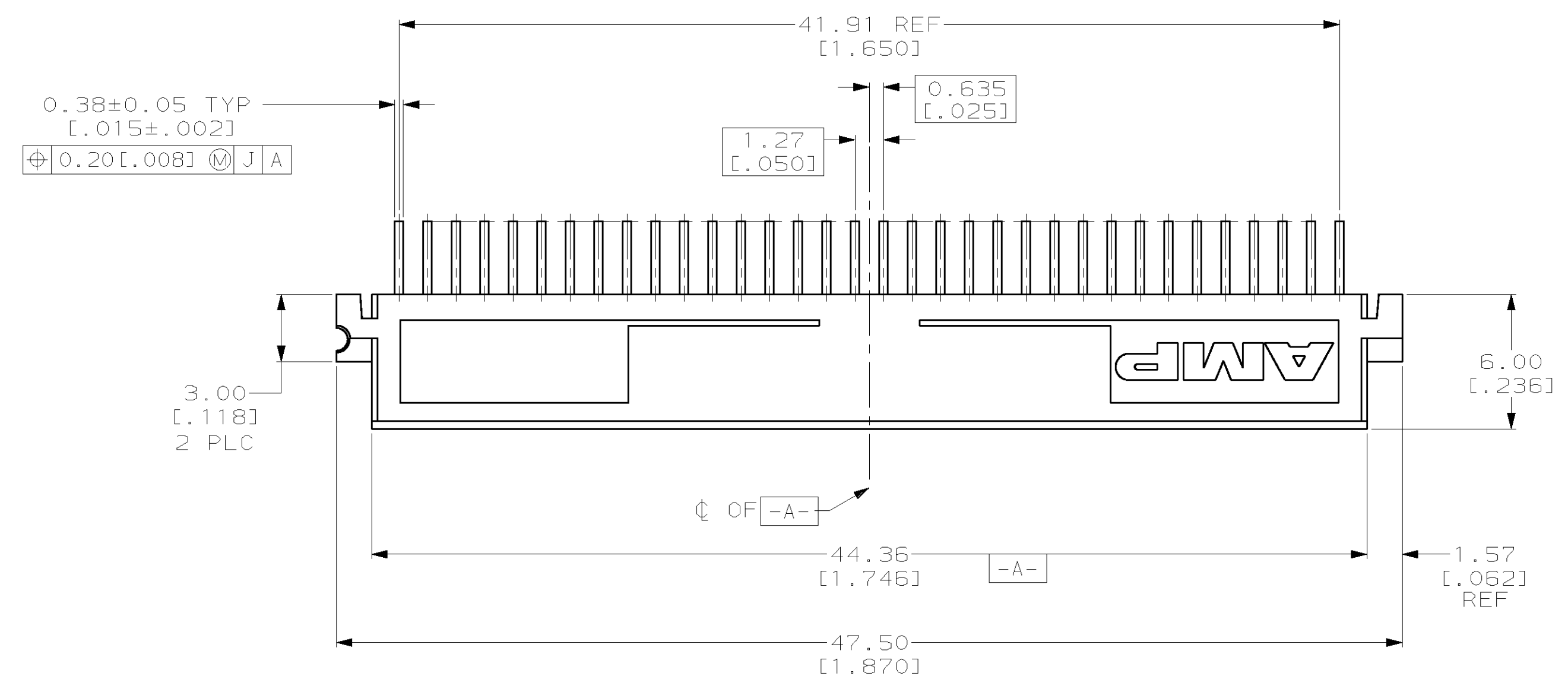


REV. NO.		DATE		BY		CHK		APP'D	
AD	39								

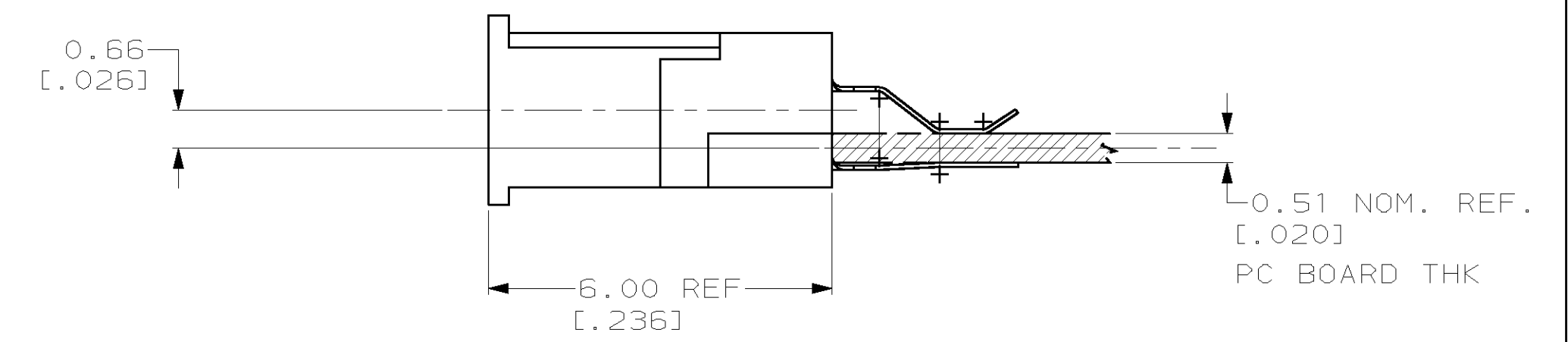
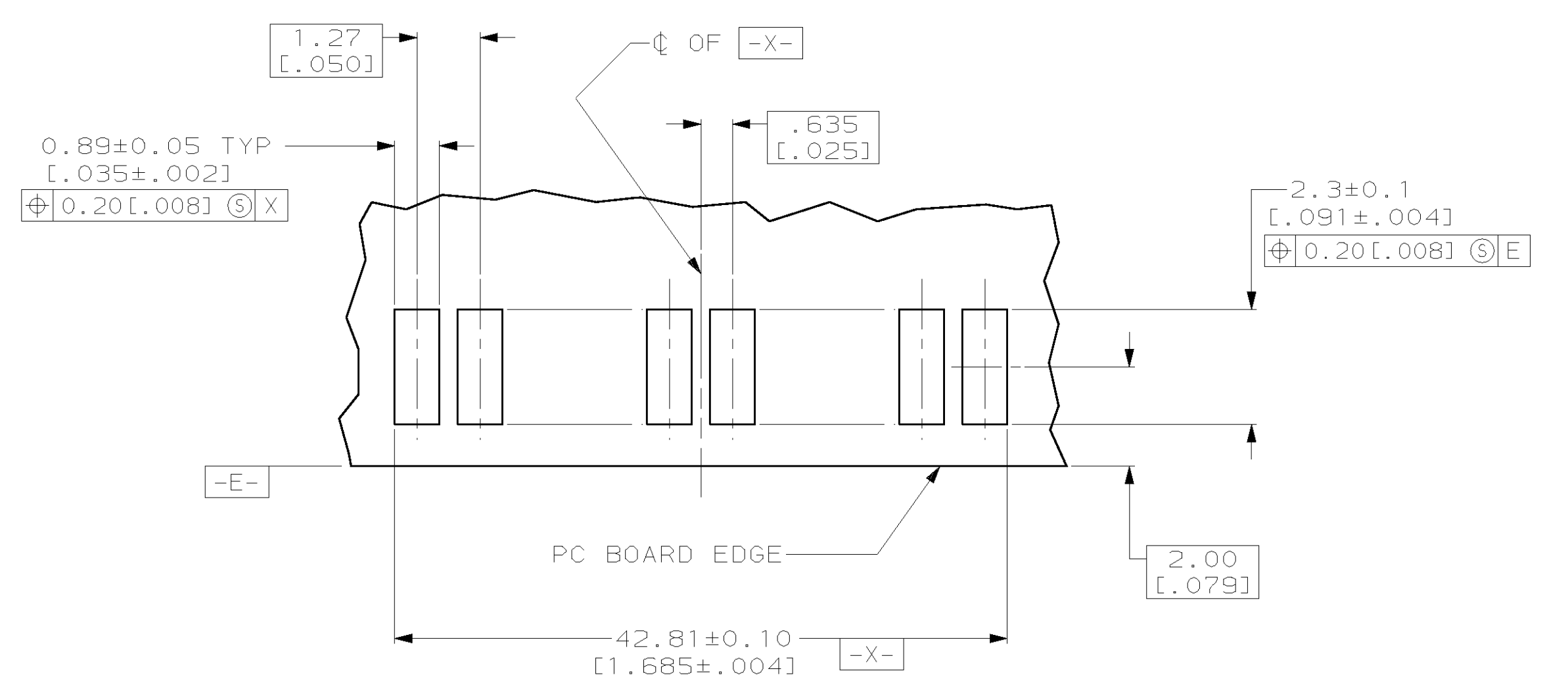
  

REVISIONS			
NO.	DESCRIPTION	DATE	BY
D	REVISED PER 0651-0259-98	15FEB99	DW



VIEW Z-Z  
SCALE 40:1

- 1 HOUSING: LCP, GLASS FILLED, COLOR: BLACK.
- 2 CONTACT: BERYLLIUM COPPER.
- 3 0.00076[.000030] MINIMUM GOLD ON MATING AREA, 0.00254[.000100] MINIMUM TIN-LEAD ON SOLDER TAIL, ALL OVER 0.00127[.000050] MINIMUM NICKEL.
- 4. POINT OF CONTACT 2.3[.091] REF FROM MATING FACE.
- 5. PACKAGED PER EIA-481.
- 6 0.000127-0.000200[.000005-.000008] GOLD ON MATING AREA, 0.00254[.000100] MINIMUM TIN-LEAD ON SOLDER TAIL, ALL OVER 0.00127[.000050] MINIMUM NICKEL.



OBSELETE	68	146234-2
	68	146234-1
PLATING	POSITIONS	PART NUMBER

THIS DRAWING IS UNPUBLISHED. IT IS SUBJECT TO CHANGE AND THE CONTROLLING ENGINEERING DEPARTMENT SHALL BE CONTACTED FOR THE LATEST REVISION.		DWN D. WERTZ 10/24/94	AMP Incorporated Harrisburg, PA 17105-3608
DIMENSIONS:		SRK D. DIXON 10/24/94	<b>AMP</b> RCPT ASSEMBLY, STRADDLE MOUNT, 68 POS, 0.66mm/.026in OFFSET, AMP MEMORY CARD
TOLERANCES UNLESS OTHERWISE SPECIFIED: 0. PLC ±.001 1. PLC ±.001 2. PLC ±.001 3. PLC ±.001 4. PLC ±.001 ANGLES ±90°		APP'D D. DIXON 10/24/94	
MATERIAL:		FINISH:	SIZE: A1 CAGE CODE: 00779 DRAWING NO: C=146234
CUSTOMER DRAWING		SCALE: 5:1	SHEET: 1 OF 1 REV: D